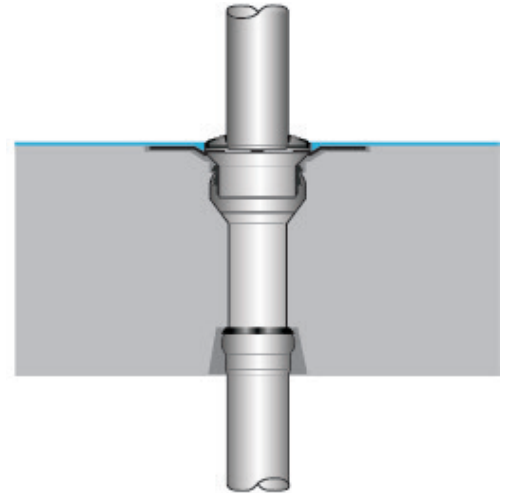


**Specification Sheet LX 1230**

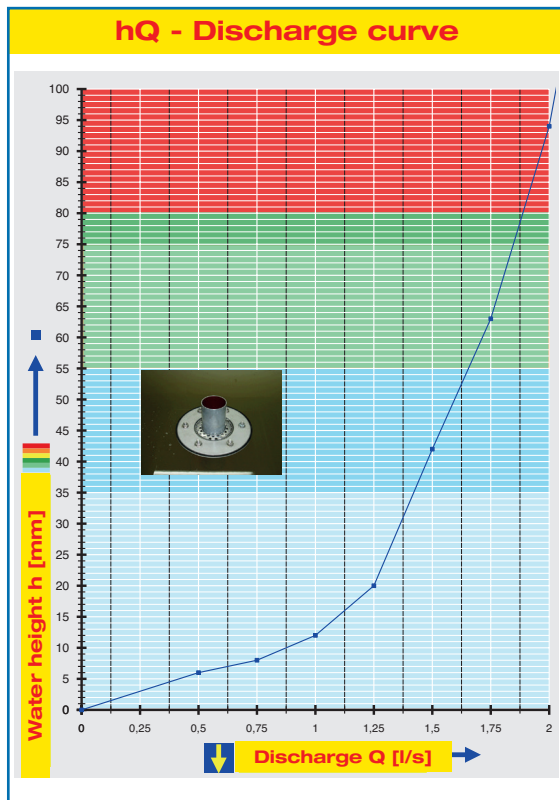
**Balcony Drainage  
Balcony drain Series V-KL**



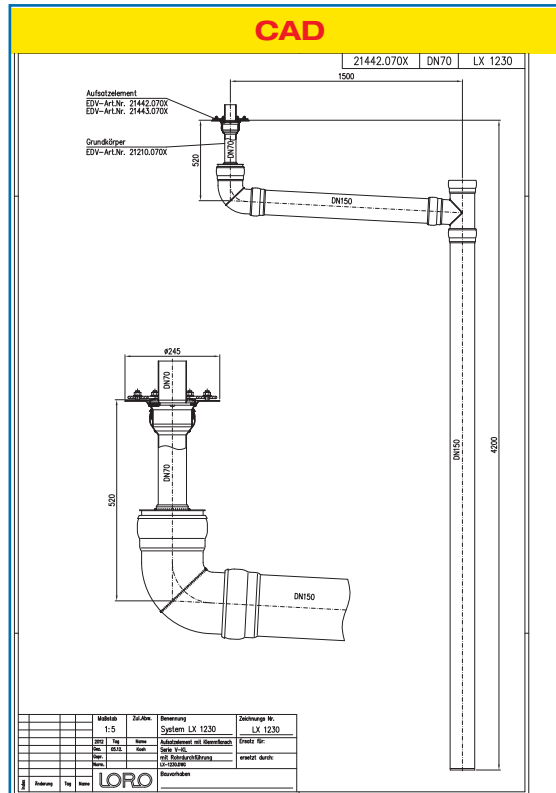
Main drainage	
Gravity flow	
Silent	
<b>Discharge:</b>	1.3 l/s
<b>Water height:</b>	35 mm
<b>Roof penetration:</b>	-
<b>Diameter:</b>	DN 70
<b>LX-Number:</b>	LX 1230
<b>Weir height:</b>	0 mm
<b>Drain:</b>	ventilated
<b>Downpipe:</b>	ventilated
<b>Downpipe height:</b>	2.75 m
<b>Drainage:</b>	into ground pipe

**LX 1230 Piece list**

Please choose set up elements and extension cartridge on page 2!



**System power**

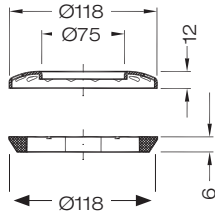


**System shape**

<b>Water height</b>	mm	10	15	20	25	30	35	40	45	50	55	60	65	70	75	
<b>Discharge</b>	l/sec	0,75	0,90	1,10	1,2	1,25	1,3	1,4	1,5	1,55	1,6	1,65	1,7	1,75	1,8	
		<b>Silent</b>														

Please choose suitable set up elements and extension unit!

DN 70

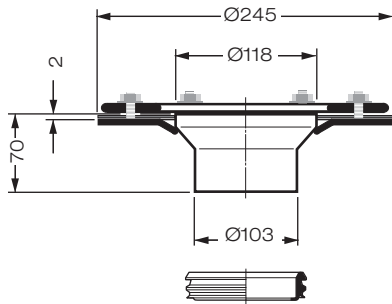


#### Strainer unit

consisting of: strainer, round, **with** pipe penetration, support ring

Art.-No. 20422.070X

Weight: 0.12 kg



#### one-piece version

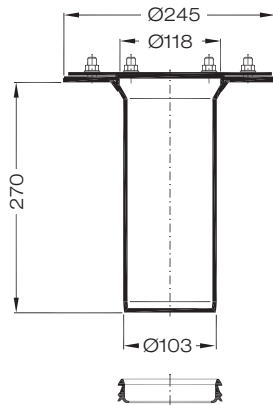
##### LX1230-12X

#### Set up element, Series V-KL

with clamping flange, for sealing with sealing sheets, made of stainless steel

Art.-No. 20440.070X

Weight: 1.7 kg



#### two-piece version

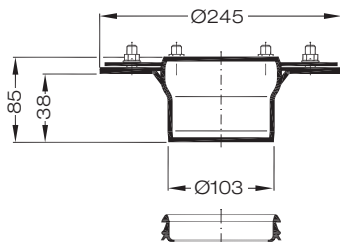
##### LX1230-13X

#### Extension unit

for thermally insulated balconies, **Series V-KL** with clamping flange, or sealing with sealing sheets, consisting of: extension unit with clamping flange, sealing element DN 100

Art.-No. 20445.070X

Weight: 2.6 kg



#### Set up element with socket

for thermally insulated balconies, **Series V-KL** with clamping flange, for sealing with liquid plastic

Art.-No. 20446.070X

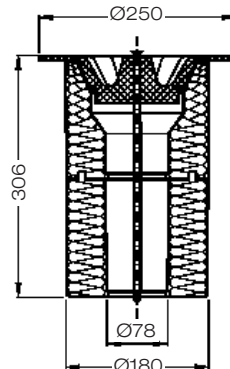
Weight: 2.0 kg

#### Base unit

Art.-No. 21400.070X  
consisting of:



- 1 **Formwork mushroom**  
Art.-No. 18110.070X
- 2 **Base body**  
Art.-No. 21210.070X
- 3 **Formwork dome**  
Art.-No. 18100.070X



#### Thermal insulation base unit

consisting of: formwork mushroom, thermal insulation body and fastening screw

Art.-No. 21401.070X

Weight: 0.7 kg

Attention:  
The base body 21210.070X has to be ordered separately!